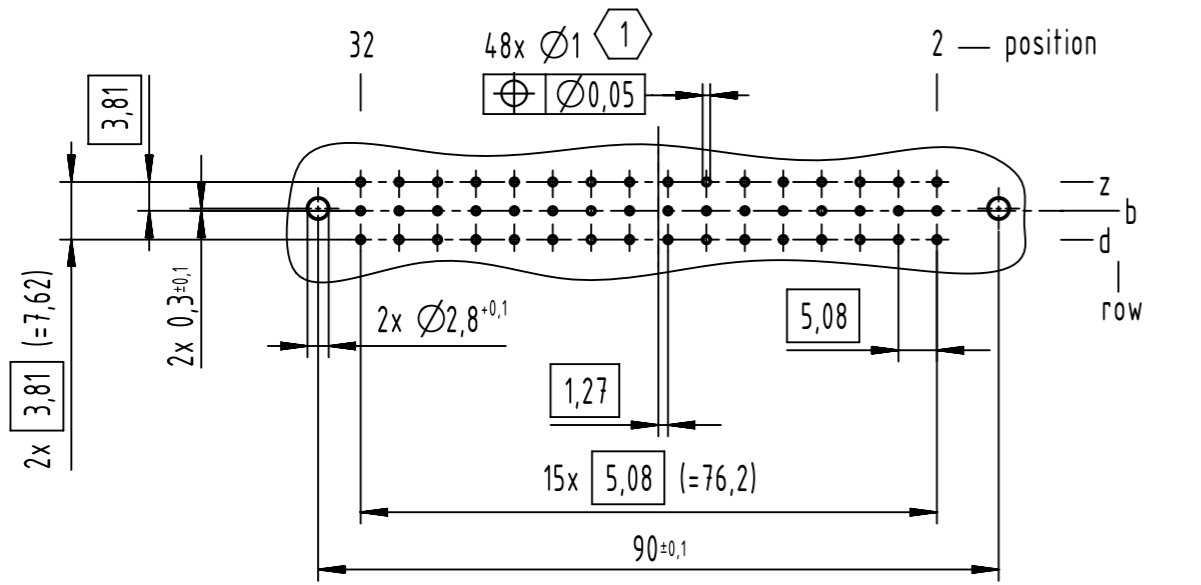


48 press-in-contacts

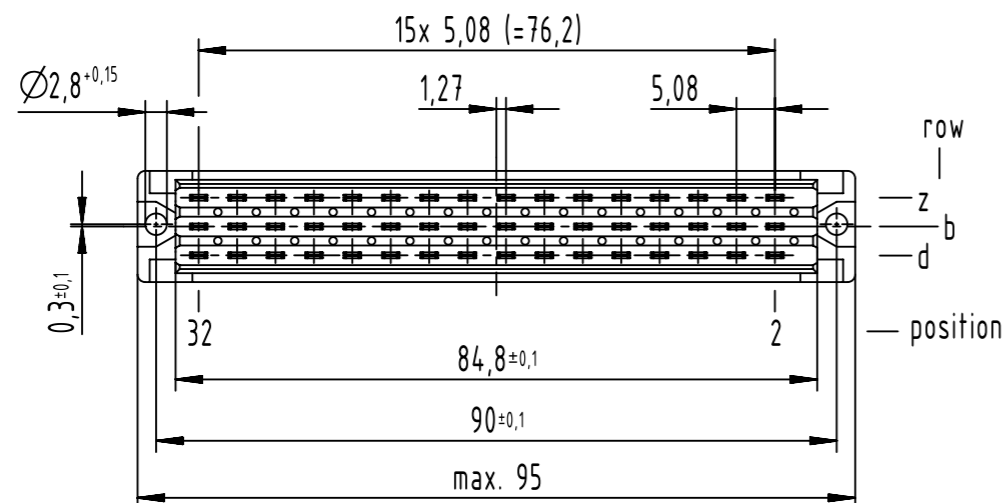
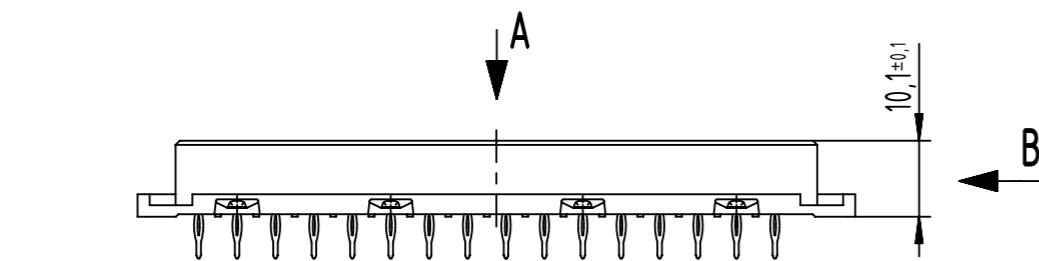
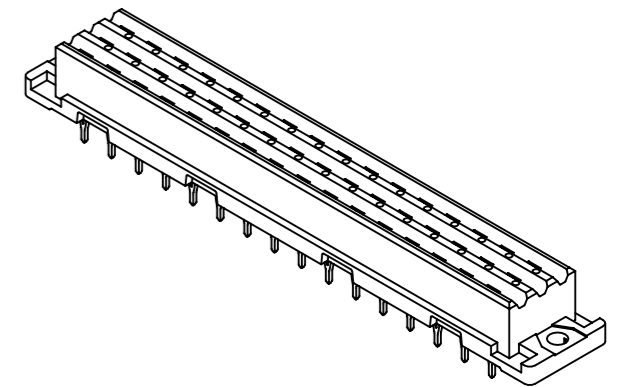
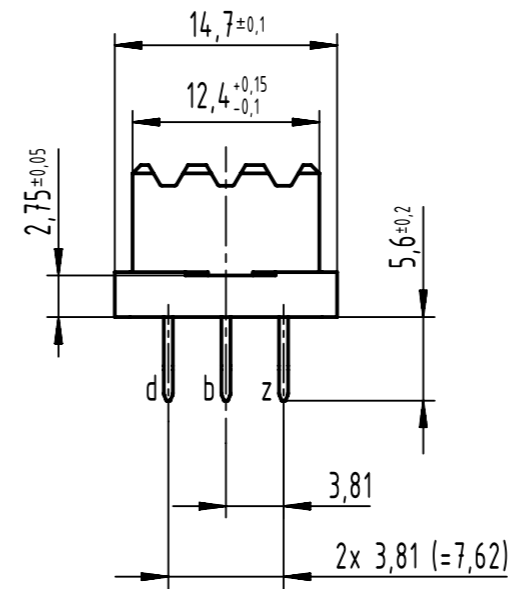
⊗ = position with contact

□ = position without contact

A
board drillings



B (2:1)



$\begin{matrix} \text{1} \\ \oplus \end{matrix}$ recommended configuration of plated through holes and further information see product data sheet

09 06 248 2832 222	2
part no.	performance level

	All Dimensions in mm Original Size DIN A3	Scale 1:1	Free size tol. complementary IEC 60603-2		Ref.
	All rights reserved Department EL PD	Created by STORCK	Inspected by LEHNERT	Standardisation 302077	Date 2021-06-15
HARTING D-32339 Espelkamp	Title DIN Power type F low-profile female press-in 5.6 NFF				Doc-Key / ECM-Nr. 100102874/UGD/015/C 500000191284
	Type TB	Number 0906248X832222		Rev. C	
					Page 1/1